

STADIUM User Guide – English

Read all the instructions carefully before first use.

CAUTION

Do not look directly at the LED lights when operating.

Care should be taken when reattaching the silicone cover to the light after charging to ensure correct sealing to prevent water ingress. No liability can be accepted for any damage caused by failure to follow these instructions or by any other improper use or mishandling.

The device contains a lithium-ion battery. It should be disposed of in accordance with the rules and regulations of your country of residence. The battery can be removed from the light by prying off the back plate with a flat object. This is done at your own risk and care should be taken to ensure that the battery terminals do not short-circuit, which could pose a fire hazard.

Mounting the bracket

To keep the lights fastened and secure, the rubber rings are provided in four different sizes to provide a snugly wrap around a variety of handlebars, head tubes, seat stays and seat posts. Note that the bracket can also be mounted on a luggage carrier or basket without using the mounting rings.

Start by mounting the front light. Pick one of the four rubber ring sizes best suited for the size of the handlebars or head tube.

1. Insert one end of the ring into the groove of the bracket.

Position the bracket on top of the handlebar or head tube. Pull the other end of the ring around the bar and insert it into the other groove.

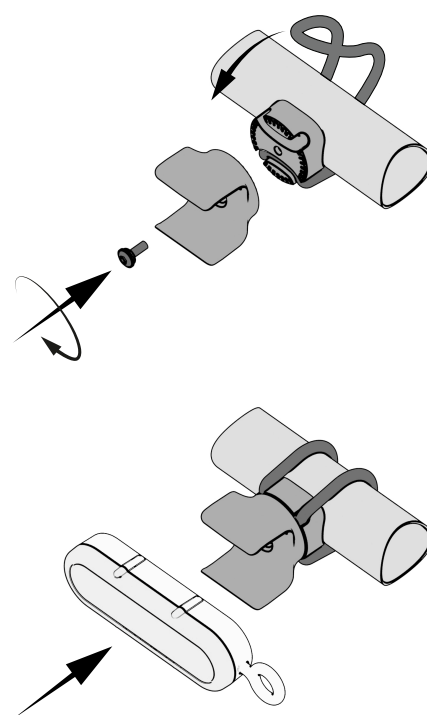
Use the smallest ring possible as this will ensure a more stable mount.

2. Locate the top bracket and mount it on top of the base part.

Insert the screw with the small O-ring and tighten it using the included Allen key.

3. Insert the light into the bracket by pushing down as illustrated.

Repeat these steps for mounting of the rear light on the seat stay or seat post.



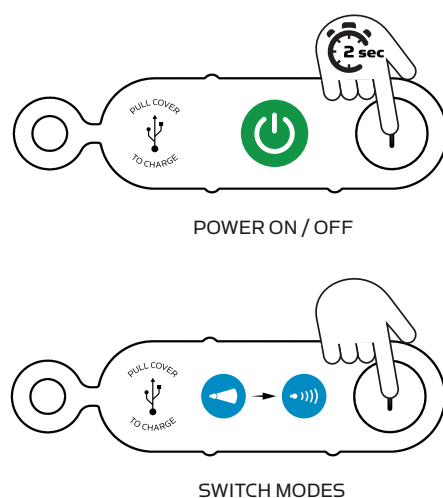
Using the light

Please note: When the light is powered on for the first time, the light will be in constant light mode as a factory default. When the light is turned on again, the last used setting will be activated.

1. To power on the light: press the button for 2 seconds. To power off the light: hold the button for 2 seconds.

2. Press the button to cycle between the different modes:

High > Medium > Medium + Flash > Pulse > Bounce > Siren > Eco-flash



Eco mode

When the battery charge goes below 10% (charge indicator will flash orange), you can only switch between “Medium” and “Eco-flash”.

Charging the battery

Your STADIUM lights are factory charged. However, it is recommended that you fully charge the lights the first time you use them to ensure maximum performance.

The cable has two ends: USB type A and USB type C.

Connect the USB type A connector to a standard wall charger (maximum 1A). Connect the USB type C connector to the light by partially removing the silicone cover from the light.

Switch on the power to charge.

When the light is charging, the orange indicator light will flash orange to indicate that the device is charging.

When the device is fully charged, the indicator light will turn green.

Ensure that the silicone cover is properly resealed after each charge.

Battery level indication

When your STADIUM lights are switched on, the charge indicator will light up green when the lights are between 100% and 20% charged.

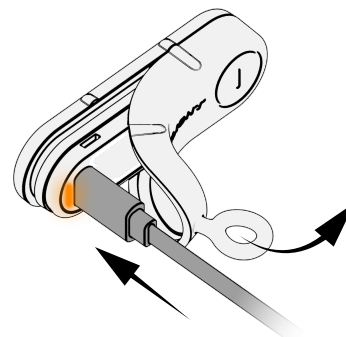
When the charge level is between 20 and 10%, the charge indicator will be orange.

When the charge level is below 10%, the charge indicator will flash orange.

Use & Care

Only use a clean, damp cloth to clean the light. If cleaning your bicycle with a high-pressure cleaner, remove the light unit from your bicycle first.

If the lights are not to be used for a long period, fully charge the battery and store in a cool, dry place. Be sure to fully charge the battery at least every 3 months.



Trouble shooting

If your STADIUM lights malfunctions or fails to operate, follow the steps in this section to identify and resolve possible problems.

If the light does not power on:

Connect the light to power using the supplied USB cable and a supported wall charger.

Check that the LED indicator is flashing orange. If so, the light may have run out of power and needs to be charged before use.

The light is connected to the charger, but the LED indicator is not lit: Check that you are using a supported USB wall charger with a maximum output of 5V and 1.0A.

If you have any further problems with your STADIUM lights, please email Reelight at info@reelight.com or call us on (+45) 86 74 24 90.