

Disc mount facer for Flat Mount, Postmount & IS2000

PROFESSIONALTOOLS

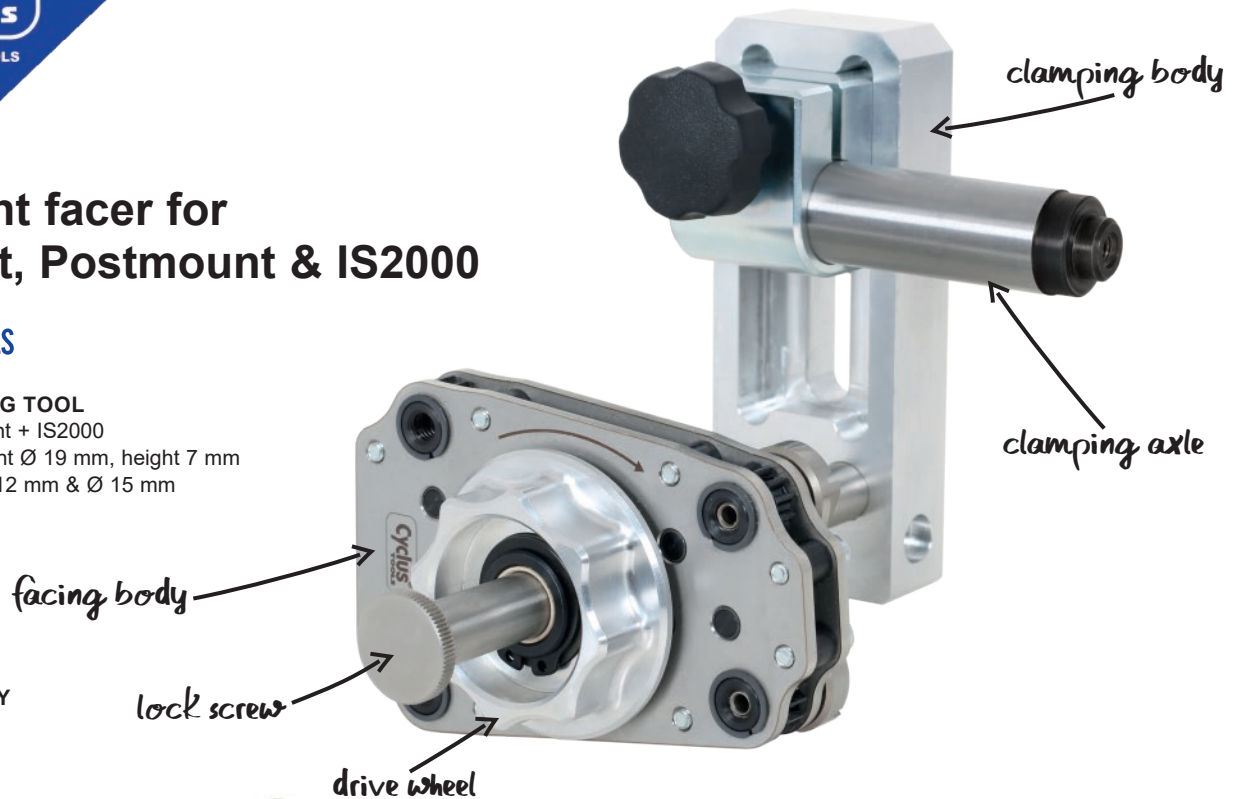
DISC MOUNT FACING TOOL

Flat Mount + Postmount + IS2000

incl. facer for Flat Mount Ø 19 mm, height 7 mm

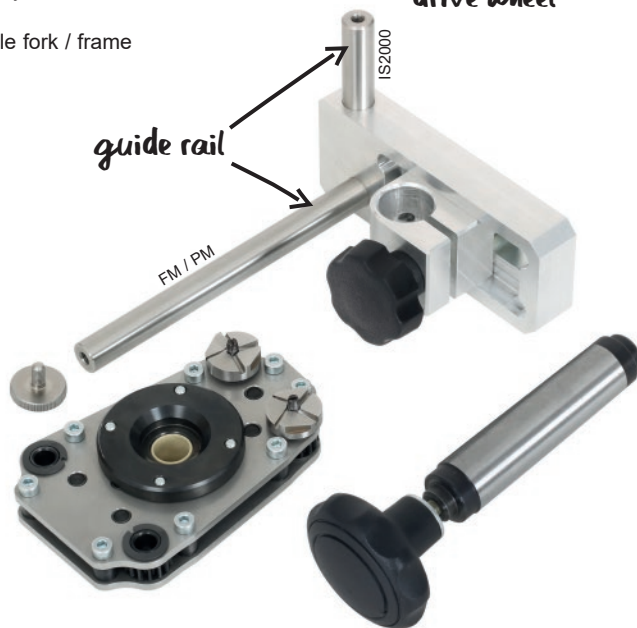
Clamp of Thru axle Ø 12 mm & Ø 15 mm

code 720236



SCOPE OF DELIVERY

- 1x facing body
- 2x facer
- 1x clamping body
- 1x lock screw
- 1x clamping axle fork / frame
- 1x handle
- 1x tool case



TOOL CHANGE

1. facer change on facing body
2. use of defined guide rail for facing body
3. clamp of mount facer on fork / frame



Disc mount facer fixed for Flat Mount rear

The dual disc mount facing tool will be used for **Flat Mount (FM)**, **Postmount (PM)** or **IS2000 Standard (IS2000)** on frames and forks. The special thing of the tool is, that both brake mounts are milled simultaneously. This is the only way to guarantee an absolutely identical milling depth, which is a prerequisite for the correct assembly and proper functioning of the disc brake. Rotate the drive wheel clockwise to start milling and apply some pressure in milling direction. Put cutting oil on the cutting edges of the facer. Clean the tool with brush or soft cloth.

available optionally:



SPARE FACER PAIR
Ø 19 mm, 7 mm height
code 720958



SPARE FACER PAIR SPECIAL DESIGN
for complicated facing works
Ø 12 mm, 15 mm height
code 720237



SPARE FACER PAIR
for carbon
code 720238

Tool adjustment to different facing configuration

1. Change of cutters

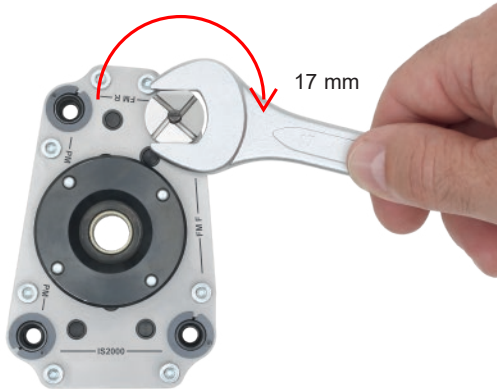
Cutters have left-hand thread, loosen in clockwise direction, tighten fingertight in counter-clockwise direction.

2. Adjustment of clamping body

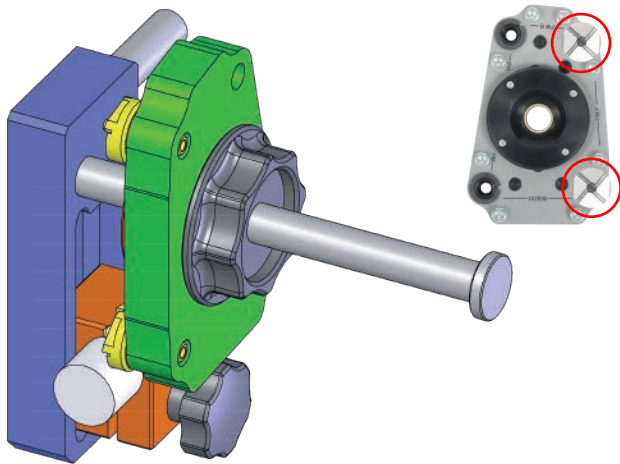
Put the facing body including mounted cutters on the corresponding guide rail (FM/PM, IS2000). Take note of the direction of the cutters. Afterwards secure the facing body with the lock screw.

3. Clamping of the tool in frame or fork

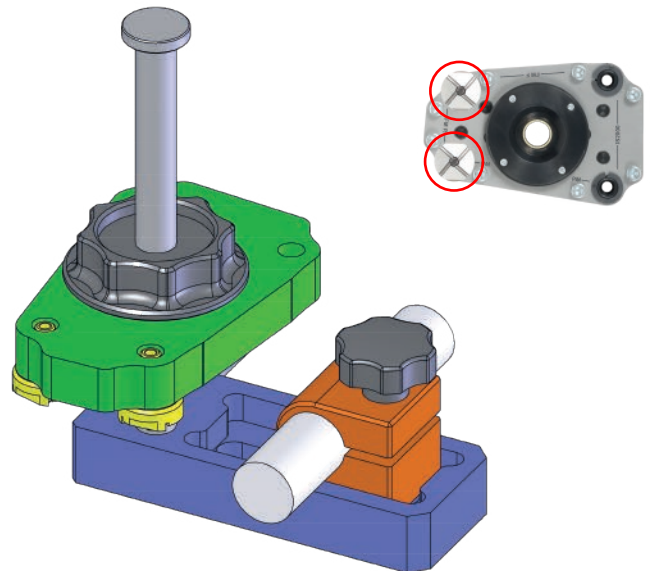
Use the corresponding clamping axles (frame / fork) or optional adapter for thru axles.



Flat Mount Front

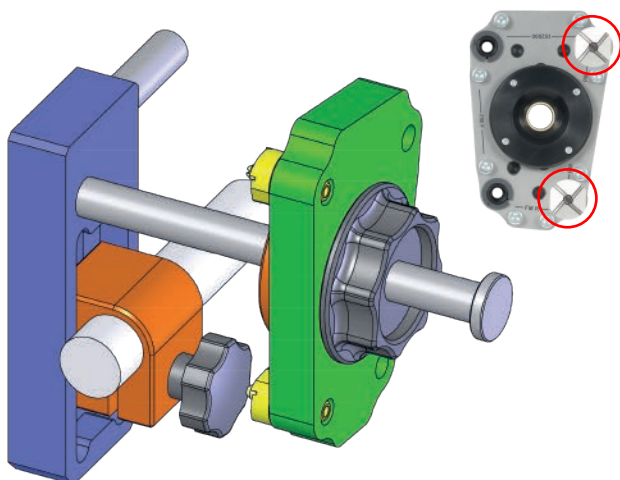


Flat Mount Rear



Postmount

brake disc diameter 140-203 mm
(nominal size: 5-8")



International Standard 2000 (IS2000)

brake disc diameter 140-203 mm

